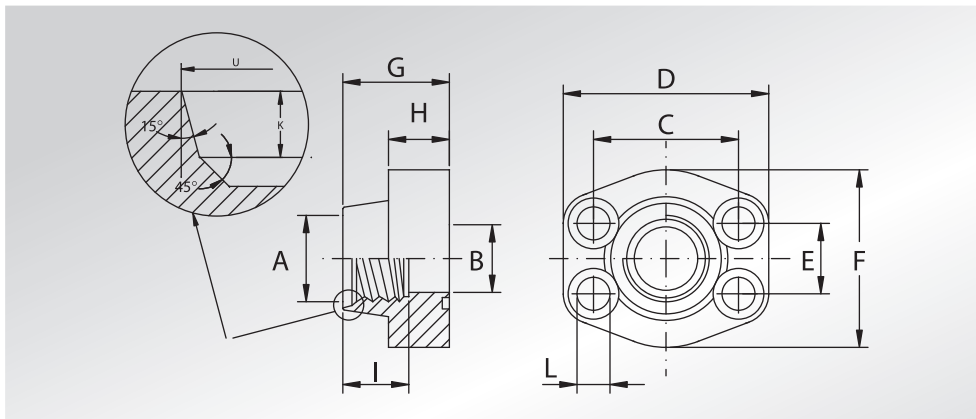


**FLANGE
FILETTATE "UN" CON
FILETTO CILINDRICO
CON SEDE O-RING**



**"UN" THREADED
FLANGES WITH
O-RING
GROOVE PARALLEL
THREAD**



Pressione max di esercizio raccomandata Kg/cm ²	Grandezza	Tipo	Dimensioni											Viti		Or tipo	Peso Kg	
Maximum recommended working pressure Kg/cm ²	Size	Type	Dimensions											Screws		Or type	Weight Kg	
			A	B	C	D	E	F	G	H	I	L	U	K	Metric	Unc		

SERIE 3000

345	1/2"	AFS080T	3/4" - 16UNF	13	38,10	57	17,48	46	36	16	17	9	20,6	2,5	M8x30	5/16x1"1/4	4075	0,25
345	3/4"	AFS100T	1"1/16 - 12UN	19	47,63	65	22,23	50	36	18	23	11	29,2	3,3	M10x35	3/8x1"1/2	4100	0,37
345	1"	AFS102T	1"5/16 - 12UN	25	52,37	70	26,19	55	38	18	23	11	35,5	3,3	M10x35	3/8x1"1/2	4131	0,45
276	1"1/4	AFS104T	1"5/8 - 12UN	32	58,72	79	30,18	68	41	21	23	11,5	43,5	3,3	M10x40	7/16x1"3/4	4150	0,66
207	1"1/2	AFS106T	1"7/8 - 12UN	38	69,85	93	35,71	78	45	25	23	13,5	49,8	3,3	M12x45	1/2x1"3/4	4187	1,05

SERIE 6000

414	1/2"	AFS401T	3/4" - 16UNF	13	40,49	57	18,24	46	36	16	17	9	20,6	2,5	M8x30	5/16x1"1/4	4075	0,25
414	3/4"	AFS402T	1"1/16 - 12UN	19	50,80	71	23,80	55	35	21	23	11	29,2	3,3	M10x40	3/8x1"1/2	4100	0,51
414	1"	AFS403T	1"5/16 - 12UN	25	57,15	81	27,76	65	42	25	23	13	35,5	3,3	M12x45	7/16x1"3/4	4131	0,81
414	1"1/4	AFS404T	1"5/8 - 12UN	32	66,68	95	31,75	78	45	27	23	15 *	43,5	3,3	M14x45	1/2x1"3/4	4150	1,13
414	1"1/2	AFS405T	1"7/8 - 12UN	38	79,38	112	36,50	94	50	30	23	17	49,8	3,3	M16x50	5/8x2"	4187	1,81

**DESIGNAZIONE PER ORDINE
DESIGNATION FOR ORDER**

Materiale / Material

ST52.3 AISI 316L

Solo flangia
Only flange

AFS...T

AFX...T

Flangia completa di viti metriche, grower e o-ring
Flange complete of metric screws, grower type washers and o-ring

AFS...TM

AFX...TM

Flangia completa di viti unc, grower e o-ring
Flange complete of unc screws, grower type washers and o-ring

AFS...TU

AFX...TU

NOTE / NOTES

* Per viti unc L=13,5
* For unc screws L=13,5

set viti unc disponibili solo in acciaio al carbonio.
unc screws set available only in carbon steel.